

Product information sheet LINUS

Item no. 514021

Benefits



- Minimalist design
- High spout for easy filling of pans and vases
- Spout can be swivelled through 360° for greater cover

Colours



Available colours:
stainless steel finish
chrome

galvanic stainless steel finish

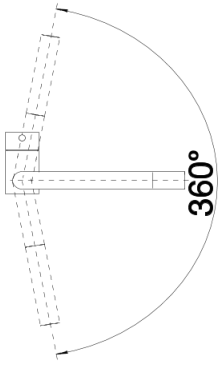
Planning information

- Please note:
- High pressure supply only - requires minimum of 1.0 bar pressure (approx 10 metre head), preferred 1.0-1.5 bar
- 3/8" BSP connectors required (not supplied)
- Heavy duty metal tap stabilising bracket, fit when required. Item No. BL450775
- Height: 284
- Reach: 219
- Base: 45
- Tap hole: ø35

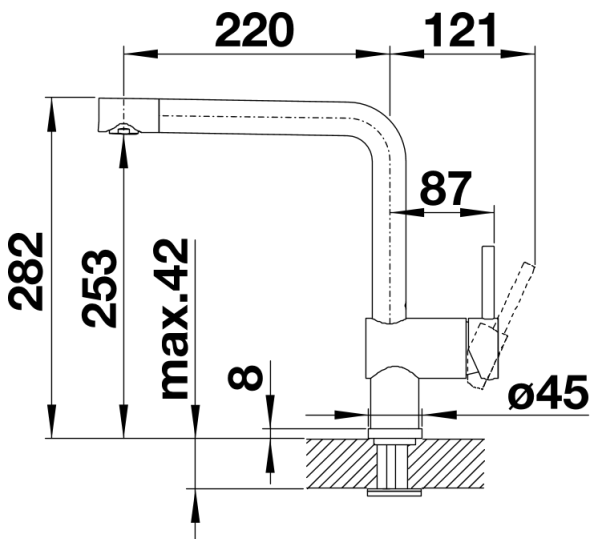
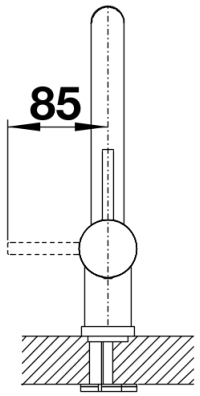
Scope of supply

- Single-lever mixer tap
- Spout can be swivelled by 360°
- Ø 35 mm tap hole required
- With ceramic disk cartridge
- Flexible connector pipes, 450 mm long and 3/8" nut for particularly easy and safe installation
- Patented jet regulator for markedly reduced scaling
- Stabilisation plate to increase the stability of the tap when fitted in stainless steel sinks
- LGA approved
- DVGW approved

Details



Swivel range



Side view